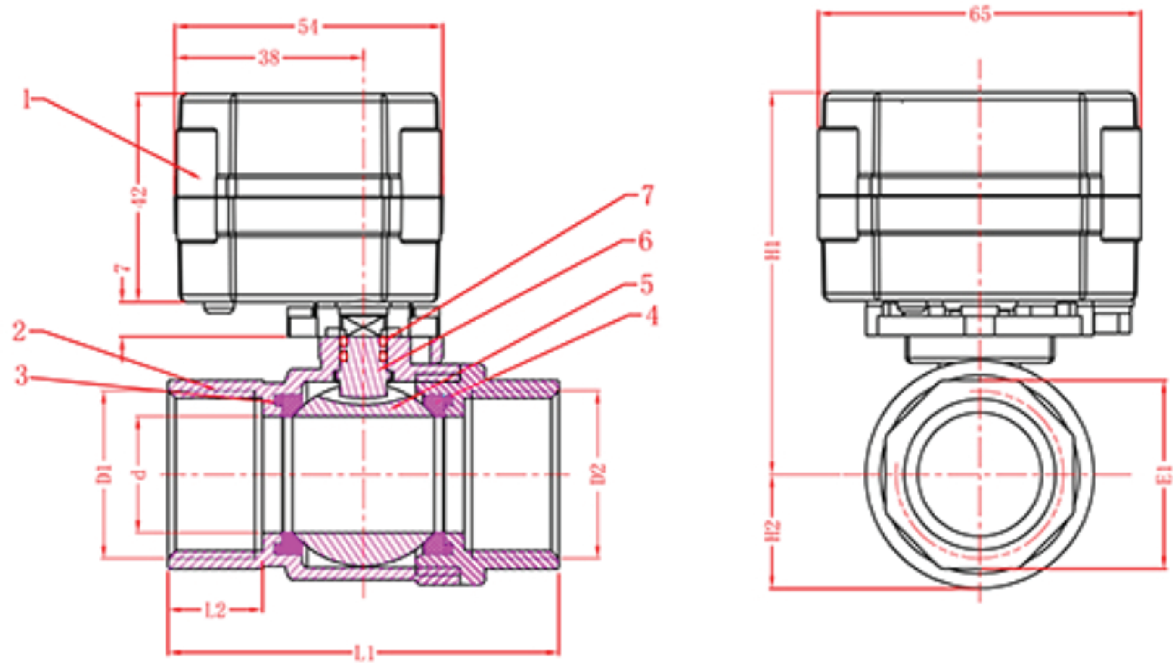


PART CODE :



7	O-ring	FKM		2
6	Stem	Brass		2
5	Ball	SS304		1
4	Sealing	PTFE		2
3	O-ring	FKM		2
2	Body Cover	Brass		1
1	Actuator	PPO		1
No.	Name	Material		Quantity

32-B2-A	1-1/4"	29	80	15	46	93	27
32-B2-A	1 1/4"	25	79	18	46	78	25
25-B2-A	1"	24	71	15	38	76	22
20-B2-A	3/4"	20	66	14	31	74	19
15-B2-A	1/2"	15	56	12	25	71	16
10-B2-A	3/8"	10	49	12	20.5	68	12
8 -B2-A	1/4"	8	49	12	20.5	68	12
Description		d	L1	L2	E1	H1	H2

MATERIAL	DRN & DATE	A20 Electric valve	MODEL NO
QTY/SET	2020/5/11		
FINISH	CHK & DATE		
TREATMENT			
COLOUR	APPO & DATE		SHEET NO
UNIT	2020/5/11		
	SCALE		ISSUE
		DRG NO./POD REF NO	