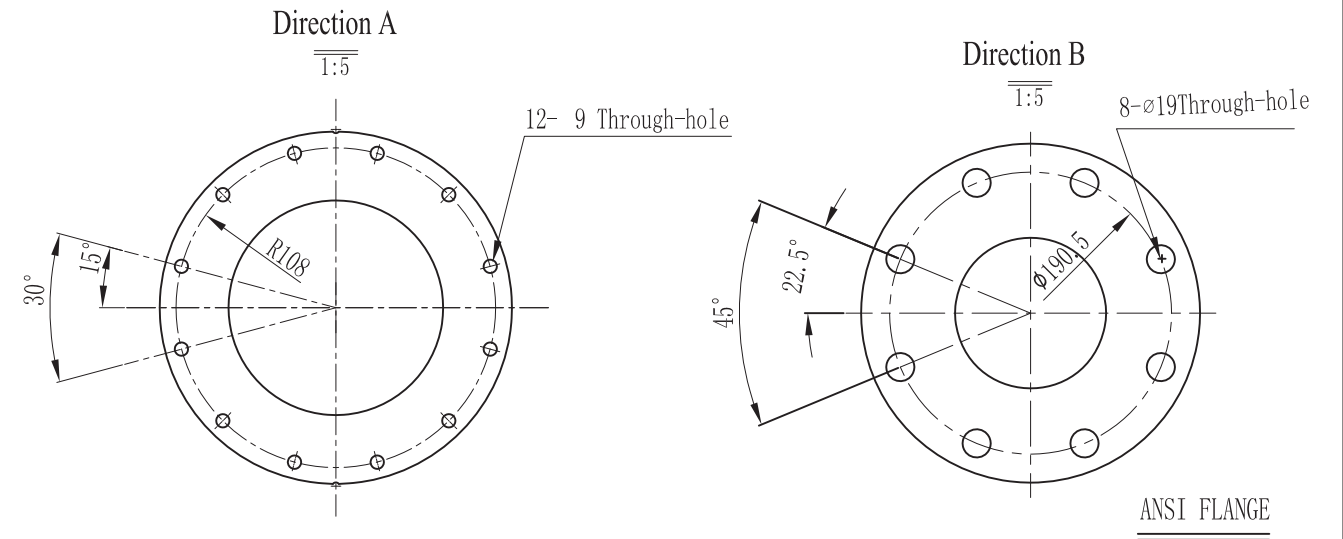
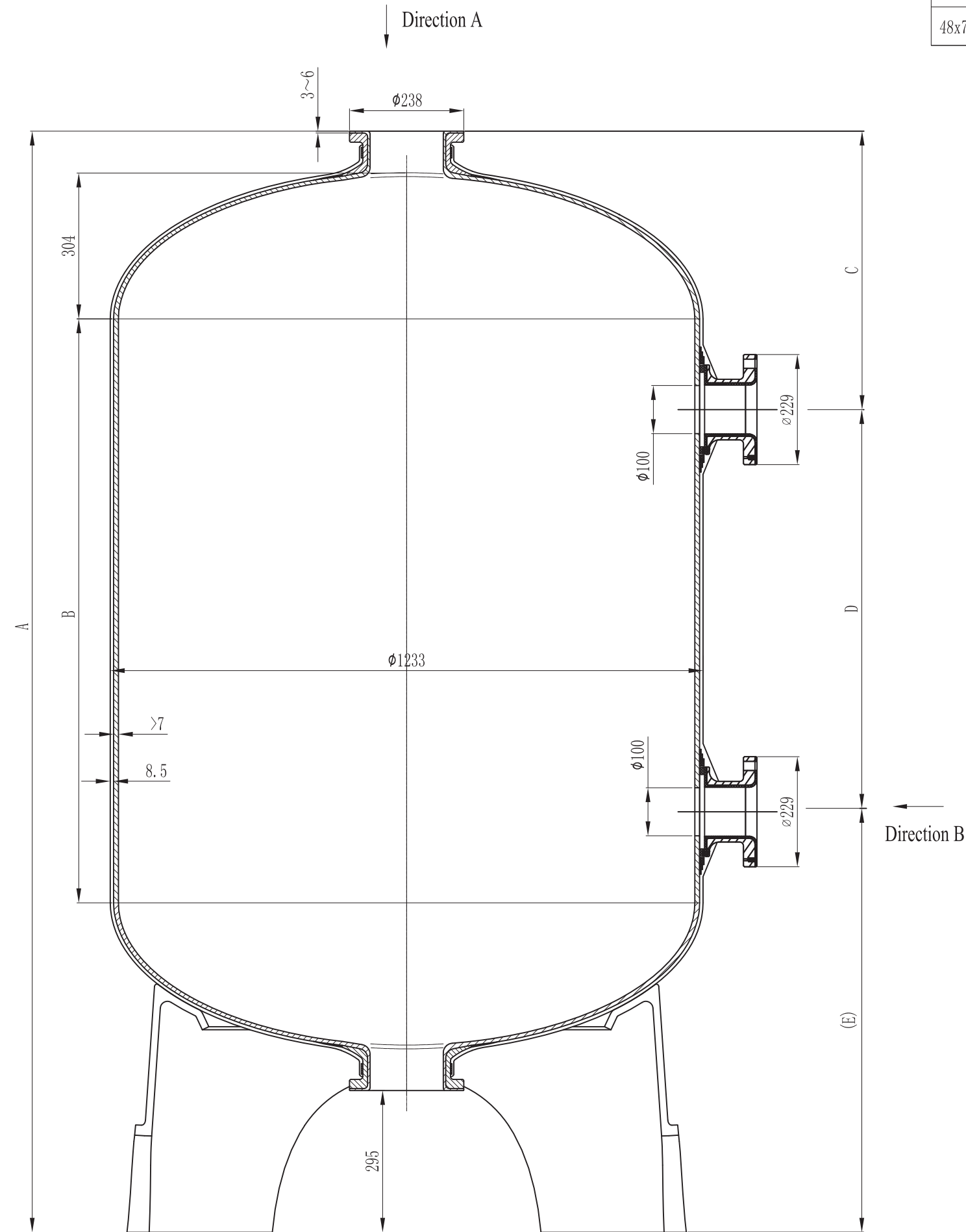


MODEL	VOLUME			DOME VOLUME			WEIGHT		A (mm)	B (mm)	C (mm)	D (mm)	(E) (mm)
	liters	U. S. gal	cubic FT	liters	U. S. gal	cubic FT	Kg	LBS					
48x72	1895	500.6	66.96	221.7	58.57	7.83	252.8	557.3	2399±15	1284	530	1043	(826)



NOTES:

- TANK MUST MEET ALL APPLICABLE SPECIFICATIONS OF NSF/ANSI 044 STANDARD, LATEST REVISION.
- OPERATING SPECIFICATIONS:
 - MAXIMUM WORKING PRESSURE - 150 PSI (10.5 BAR)
 - TEMPERATURE RANGE - 34-150° F (1-65°C)
 - MAXIMUM VACUUM - 5" Hg (127 mm Hg)
- VISUAL LINER INSPECTION
 - NO MORE THAN 20 INTERNAL OR EXTERNAL BLEMISHES OR BURNT DEBRIS.
 - NO INTERNAL OR EXTERNAL BLEMISHES OR BURNT DEBRIS LARGER THAN 5×5mm.
 - NO INTERNAL BLEMISHES OR BURNT DEBRIS ALLOWED.
- ALL GLASS STRANDS FROM FIBERGLASS LINER TO BE BONDED AND COVERED.
- SURFACE TO BE FREE OF NICKS, SCRATCHES, RESIN AND GLASS.
- SURFACE FINISH.
- DIMENSIONS IN PARENTHESIS ARE REFERENCE ONLY.
- TANK TO BE BONDED TO BASE.
- USING A STANDARD LEVEL WITH TANK POSITIONED ON A LEVEL SURFACE, DATUM B TO BE PARALLEL WITH DATUM A. BUBBLE OF LEVEL MUST FALL COMPLETELY WITHIN LINES WHEN MEASURED AT 90° INTERVALS WHEN PLACED ON THE TOP OF THE FLANGE.
- AFTER THE TANK IS LEVELED, IT IS RECOMMENDED THAT THE TANK BE BOLTED TO THE FLOOR IN SIX POSITIONS PER THE TRIPOD BASE BOLT HOLE PATTERN WITH 3/8" ANCHORS.

0	FIRST VERSION						
VERSION NO.	DESCRIPTION OF CHANGES:					SIGNATURE	DATE
REFERENTIAL PLASTIC SHRINKAGE (IF NECESSARY):							
SIGNATURE							
	NAME	DATE					
DESIGN	Jed Cao	2013.12.12	SCALE	MATERIAL	MODEL		
INSPECTION	Tom Tang	2013.12.12	1 : 10		DESCRIPTION		
APPROVAL	Tom Tang	2013.12.12	QUANTITY	SMOOTHNESS	48" FRP PRESSURE VESSEL (SIDE FLANGE OPENING)-(ANSI)		
THIS PRODUCT DRAWING CAN NOT BE COPIED AND/OR USED WITHOUT PRIOR WRITTEN APPROVAL OF WAVE CYBER.				PROJECTION	COMPUTER CODE	DRAWING NO.	VERSION NO.
						1104822-00	0
DO NOT MEASURE THE DIMENSIONS.				UNIT: MM		TOTAL PAGE: 1	